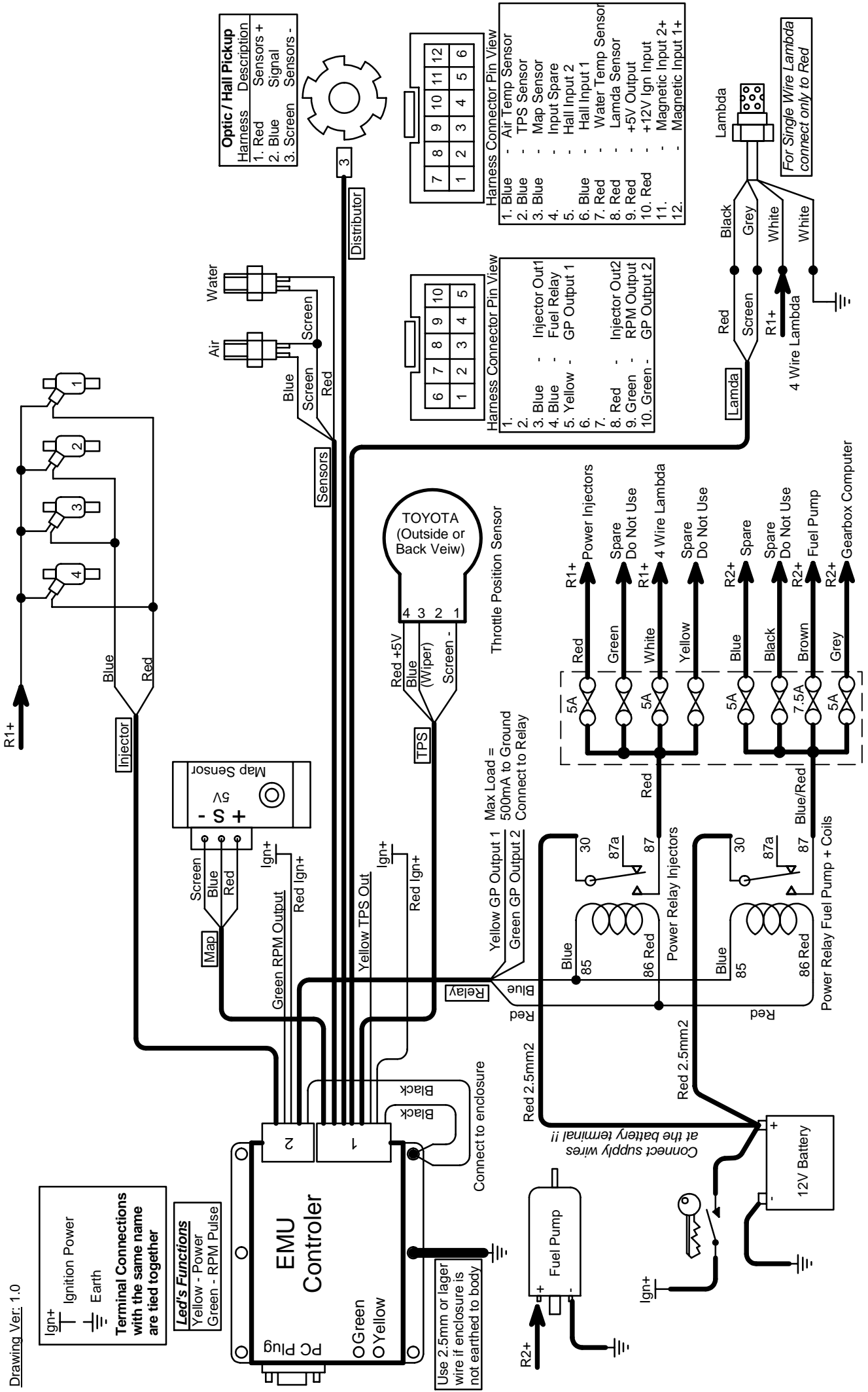


Standard Fuel Only - 5V Hall EMU

Harness Required: E03 Ver 1.0 & E18 Ver 1.0

Last Changed: 26/08/2008

Drawing Ver: 1.0



Ign+ Ignition Power
Earth
Terminal Connections with the same name are tied together

Led's Functions
 Yellow - Power
 Green - RPM Pulse

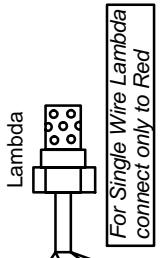
Harness	Description
1. Red	Sensors +
2. Blue	Signal
3. Screen	Sensors -

6	7	8	9	10	11	12
1	2	3	4	5	6	

1.	2.	3.	4.	5.	6.	7.	8.	9.	10.	11.	12.
Blue	Blue	Blue	Blue	Yellow	Blue	Red	Red	Green	Green	Red	
- Air Temp Sensor	- TPS Sensor	- Map Sensor	- Input Spare	- Hall Input 2	- Hall Input 1	- Water Temp Sensor	- Lambda Sensor	- +5V Output	- +12V Ign Input	- Magnetic Input 2+	- Magnetic Input 1+

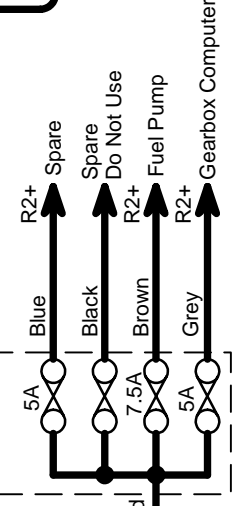
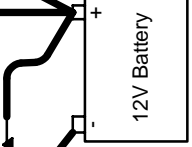
7	8	9	10	11	12
1	2	3	4	5	6

1.	2.	3.	4.	5.	6.	7.	8.	9.	10.	11.	12.
Blue	Blue	Blue	Blue	Yellow	Blue	Red	Red	Green	Green	Red	
- Injector Out1	- Fuel Relay	- GP Output 1	- Injector Out2	- RPM Output	- GP Output 2	-	-	-	-	-	-



Use 2.5mm or larger wire if enclosure is not earthed to body

Connect supply wires at the battery terminal !!



Max Load = 500mA to Ground
 Connect to Relay

